

# P3S Spot Light (Clamp)

90W LED/ 20°



- Cine-Grade Light Quality
- Point-Source LED
- DMX Controllable
- 90W Power Draw
- Compact (< 8" of Vertical Space)

## ORDERING GUIDE

**CXP3S** -  -  - **CLP** - **PSV** -

### Mode

<b>CLR</b>	All Modes
<b>EZ</b>	All EZ Modes
<b>RGB</b>	RGB Mode Only
<b>CCT</b>	Tunable CCT Mode Only
<b>3200</b>	Fixed 3200K
<b>5600</b>	Fixed 5600K

### Finish

<b>WH</b>	White
<b>BK</b>	Black

### Mount

<b>CLP</b>	Clamp Mount
------------	-------------

### Power Supply & Control

<b>PSV</b>	Power Supply
------------	--------------

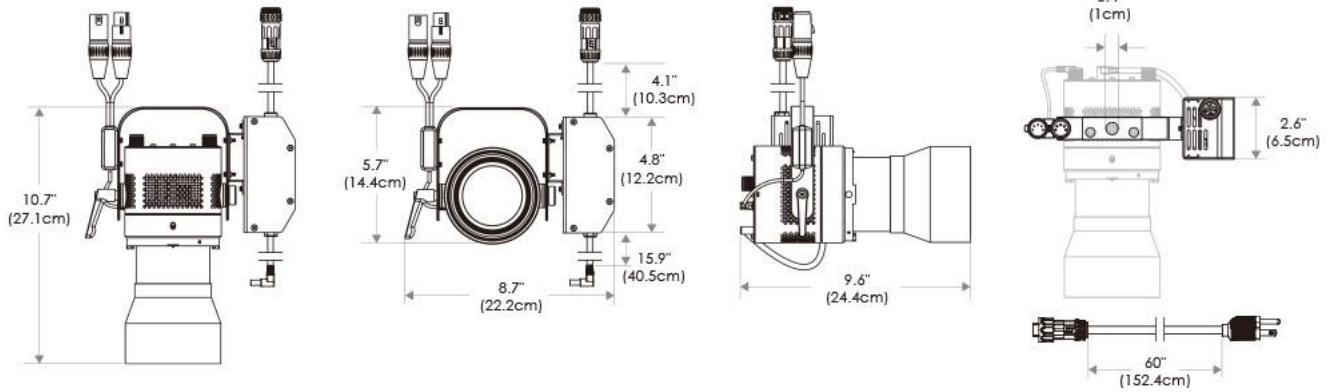
### Plug/Connection

<b>US</b>	US 120V
<b>EU</b>	EU 220V

## SPECIFICATIONS

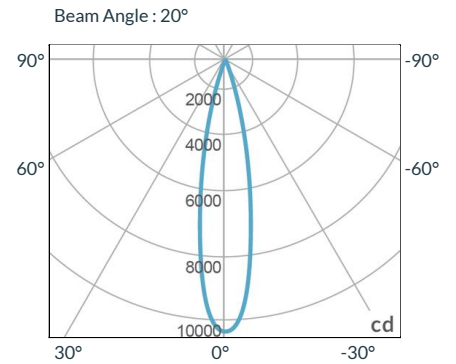
Beam Angle	20°
CRI / TLCI	95/90 typical (in CCT Mode of 2800K-6500K)
Dimming	100% - 0% flicker free
Power Draw	90W max
AC Input	100 - 240V AC, 50 - 60Hz
Remote Control	DMX 512
Cooling	Fan Cooled
Acoustic Noise	23 dBA
Operating Temp.	32 - 104°F (0 - 40°C)
Weight (Fixture + Power Supply)	3.6lb / 1.7kg

## MECHANICAL FIGURES



## PHOTOMETRIC DATA

Distance		3' (~0.9 m)	10' (~3.0 m)	15' (~4.6 m)
@3200K	fc	1267	106	53
	lux	13638	1141	571
@5600K	fc	1309	110	55
	lux	14090	1185	593
Beam Diameter		Ø 1.0' (~0.3m)	Ø 3.5' (~1.1m)	Ø 5.3' (~1.6m)



## MODE DESCRIPTION

Mode Description	Available Modes
- CLR	All Modes (8 bit and 16 bit)
- EZ	All EZ Modes (8 bit) ( EZ CCT / EZ HSI / EZ RGBW / EZ RGB / EZ ICTHS / EZ ICT RGBW / EZ 3200K / EZ 5600K)
- RGB	EZ RGB (8 bit)
- CCT	EZ CCT (8 bit)
- 3200	EZ 3200K (8 bit)
- 5600	EZ 5600K (8 bit)

See Downloads portion of webpage for full DMX profiles